

1. Overview:

The Inaxsys SW1205-8CB switching power supply/distribution unit converts 120VAC input into 12VDC at 5.5 amps of continuous supply current. The built-in 8-output distribution board allows for power delivery across multiple outputs while offering electronically fused protection on each circuit. This general-purpose power supply has a wide range of applications for access control, security and CCTV systems that require additional power. For convenient installation, the unit comes completely assembled with a compact steel enclosure, power cord and all connecting hardware.

2. Features:

- Designed for quick installation
- Individually protected, electronically fused outputs
- Built in battery backup/charger on selected models(see below)
- Short circuit isolation technology for uninterrupted operation
- Class 2, Power limited outputs
- Removable output terminal blocks for quick installation
- Diagnostic LEDs for quick troubleshooting
- Automatic switch over to stand-by battery
- AC line cord included
- Lifetime warranty

3. Specifications:

- UL/ULC listed to UL60950 Information Technology Equipment.
- CE/LVD EN60950-1
- CE/EMC:EN55022,EN55024
- FCC PART 15, ICES 003-2012
- Maximum temperature range:-20° C to 40° C; (For indoor use only.)
- Relative humidity: 20% ~ 90%
- 85% of Efficiency with full load.
- Maximum ripple 150mVp-p, Maximum noise 200mVp-p
- Built-in charger for sealed lead acid battery.
- Individual outputs current limited at 2.5 Amps per circuit.
- Maximum battery charge 500mA (Subtract from total output).
- Red LED's indicate DC power presence on each circuit.

Products	Power output	Number of outputs	Battery Charger	Enclosure dimensions
SW1205-4CB	12VDC@5.5 Amps	4	Yes	9.25" . x 8.25" in. x 3.5" (23.3 cm x 21 cm x 9 cm)
SW1205-8-CB	12VDC@5.5 Amps	8	Yes	9.25" . x 8.25" in. x 3.5" (23.3 cm x 21 cm x 9 cm)
SW1210-8-CB	12VDC@11 Amps	8	Yes	17"L x 13.5"W x 4.75"H (43.2 cm x 34.3cm x 12.06 cm)
SW1210-16-CB	12VDC@11 Amps	16	Yes	17"L x 13.5"W x 4.75"H (43.2 cm x 34.3cm x 12.06 cm)

Note: When using the battery charger for backup /charging, 500mA needs to be subtracted from the total

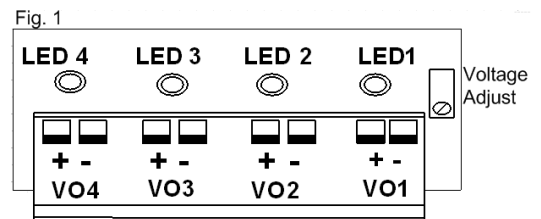
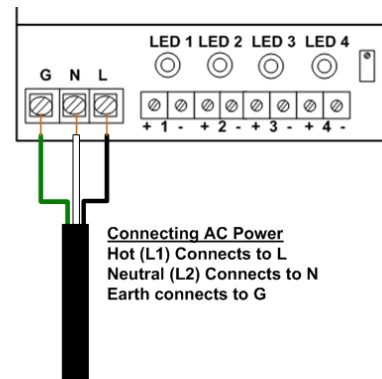
output power listed above in table.

Products	AC current draw (Full load) 120VAC@50/60hz	AC current draw (Full load) 240VAC 50/60Hz	Max output per circuit	Number of batteries required for backup
SW1205-4CB	1.3Amps	650mA	2.5Amps	1
SW1205-8CB	1.3Amps	650mA	2.5Amps	1
SW1210-8CB	2.6Amps	1.3Amps	2.5Amps	2
SW1210-16CB	2.6Amps	1.3Amps	2.5Amps	2

⚠️ WARNING! ⚠️ Equipment is to be installed and serviced by authorized / trained personnel only. Installation should conform to all local codes and in accordance with the National Electrical Code. Shut branch circuit power before installing / servicing equipment. Product is intended for indoor use only.

4. Installation Instructions:

1. Unpack product. Do not discard packaging material until installation is complete.
2. Pre-drill holes on the wall where enclosure is to be mounted. Choose a vertical surface (wall) strong enough to support the full weight of the assembly. Select a mounting location in an area without excessive moisture; for indoor installation only and in a secured area (Electrical Room).
3. Secure enclosure to the desired wall location with the appropriate sized fasteners using the four mounting holes in the cabinet.
4. Disconnect power to the branch circuit to which the product will be connected.
5. Connect incoming AC power (120 V, 60 Hz):
 - Hot (L1) (black) to terminal marked “L”.
 - Neutral (L2) (white) to terminal marked “N”.
 - Ground (Green) to terminal marked “G”.
6. Use the knockout in bottom of cabinet for 120 VAC wiring. Route the 120VAC wiring at least 1/4" from (low voltage) wiring.
7. Keep a 1/4" (0.635 cm) separation between power-limited wiring and on-power-limited wiring. Use separate knockouts for power limited wiring.
8. Connect external loads to appropriate terminals shown in Fig 1: Connect circuit #1 to terminals marked “VO1+” and “VO1-”. Connect circuit #2 to terminals marked “VO2+” and “VO2-”. Continue to connect the remaining circuits, carefully observing polarity.
9. Power the branch circuit and observe red output LEDs illuminated. Illuminated LEDs 1-4 or 1-8 mean that Dc power is present on outputs.
10. To avoid potential damage, verify that output voltage and load current does not exceed output limitations. (A single extinguished LED can mean an overload condition) See *troubleshooting guide for more information*.
11. **For Battery backup:** If battery backup is required, use the provided battery leads and connect the Lead Acid battery(s) 7AH 12V to the battery charger terminals while carefully observing polarity. Set the output voltage on the trim pot shown in Fig. 1 to 13.8VDC for proper charging. Battery(s) not supplied with power supply unit. We suggest using Power Sonic Battery part NO. PS1270, UL File NO.MH20845 or any Recognized Lead Acid UL Battery of same capacity and type,7AH 12V.



5. Maintenance/Troubleshooting

Product should be tested annually for proper functionality. Normal verification of proper operation includes measuring all outputs with a voltmeter under normal load conditions to ensure output voltage is present.

Trouble shooting tips:	
Symptom	Check for
All output LEDs are extinguished	<ul style="list-style-type: none">• Measure for proper input voltage (120VAC/240VAC) using an AC voltmeter.• Verify total output load. Check for overload/Short circuit condition on all outputs. Remove short or overload condition.
Single output LED is extinguished	<ul style="list-style-type: none">• Verify output load on circuit. Check for overload/Short circuit condition. Remove short or overload condition.
Battery not charging.	<ul style="list-style-type: none">• Measure battery charger voltage to ensure 13.8VDC is present.• Check battery to make sure it is not worn out or defective.



WARNING: TO REDUCE THE RISK OF FIRE OR ELECTRIC SHOCK, DO NOT EXPOSE THIS APPLIANCE TO RAIN OR MOISTURE. RISK OF ELECTRICAL SHOCK AND/OR EQUIPMENT DAMAGE. DISCONNECT POWER BEFORE SERVICING THIS APPLIANCE.

- FOR CONTINUOUS PROTECTION AGAINST HAZARD, REPLACE FUSES WITH ONLY EXACT TYPE AND RATING.
- MAINTAIN A 1/4" OF SEPARATION BETWEEN THE AC MAINS AND ALL LOW VOLTAGE WIRING.
- A READILY ACCESSIBLE SWITCHED CIRCUIT BREAKER MUST BE AVAILABLE TO DISCONNECT MAIN POWER AS REQUIRED.
- THIS UNIT CONTAINS NO USER-SERVICEABLE PARTS, INSTALLATION AND SERVICING SHOULD ONLY BE MADE BY QUALIFIED PERSONNEL.
- INSTALL IN ACCORDANCE WITH ALL LOCAL REGULATIONS AND NATIONAL ELECTRIC CODE.



REG# 13EAB02004-0542



FCC ID: 13FAB020040542



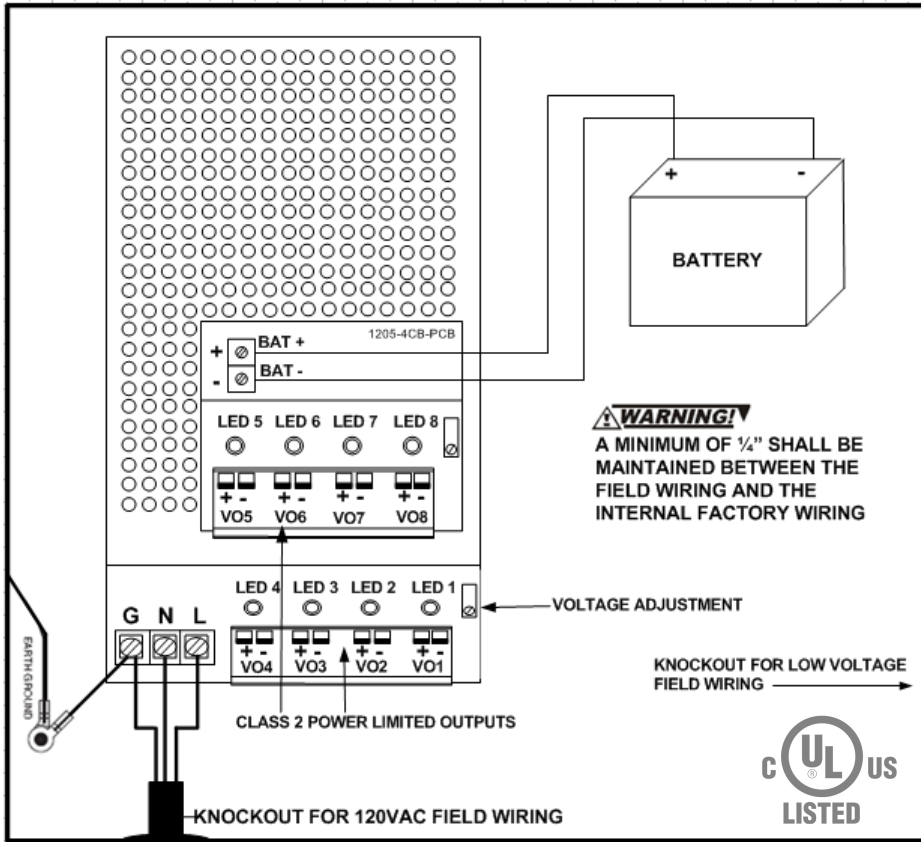
LISTED

I.T.E POWER SUPPLY

E220695

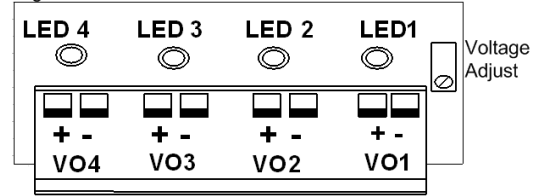
6AA8

SW1205-8CB

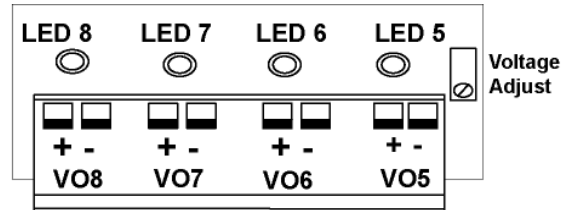


Output Terminal Block for circuits 1-4 and Voltage

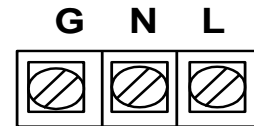
Fig. 1



Output Terminal Block for circuits 5-8 and Voltage



AC power input



Website: www.inaxsys.com
 Toll Free: 888-648-6648
 Support: support@inaxsys.com
 Sales: sales@inaxsys.com